

Retractable Handles

Plastic, Retractable Mechanism Steel,
Locked in Operating Position

SPECIFICATION

Handle

Plastic, phenolic resin (PF) **KU**

- Operating temperature up to 110 °C
- Black, shiny finish
- Revolving

Retractable mechanism

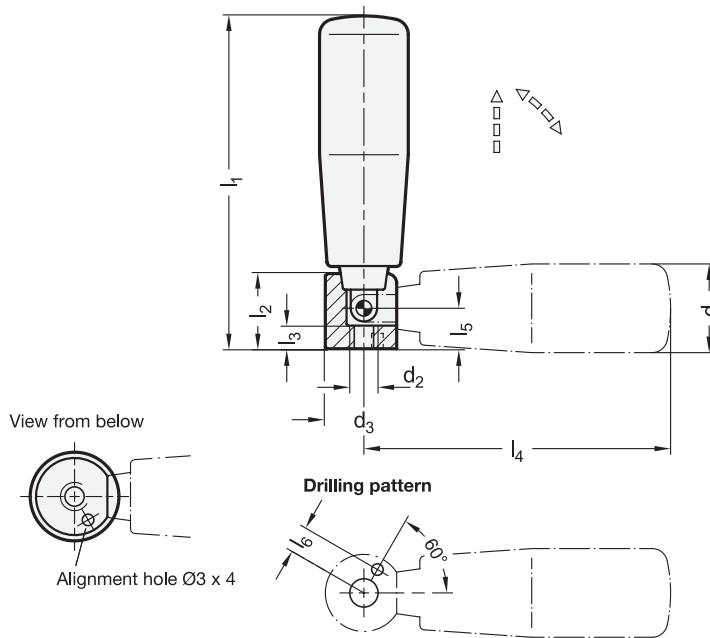
Steel, blackened

INFORMATION

Retractable handles GN 598.3 are used when the handle should not protrude temporarily for space or safety reasons.

TECHNICAL INFORMATION

- Plastic Characteristics (see page A2)



GN 598.3

Description	d1	d2	d3	l1 ≈	l2	l3	l4 ≈	l5	l6	⚖
GN 598.3-KU-18	18	M 5	16	57	15	5	52	9.5	5	50
GN 598.3-KU-21	21	M 5	16	67	15	5	62	9.5	5	58
GN 598.3-KU-22	22	M 5	16	73	15	5	68	9.5	5	63
GN 598.3-KU-23	23	M 6	20	87	19.5	6	80	10.5	7	106
GN 598.3-KU-26	26	M 6	20	102	19.5	6	95	10.5	7	130
GN 598.3-KU-28	28	M 8	26	118	26	10	106	16	10	215